

Block Valve

VSB



OVERVIEW

Operating principle

- Valve block with central supply line for use with flow monitors or flow indicators

Application

- Monitoring of central lubrication systems
- Monitoring of lubricating systems with oil circulation
- Monitoring of cooling water circulation

Features

- Universal orientation
- Manifolds from 1 to 10 units
- Max. 25 l/min per single unit
- Max. 75 l/min per manifold
- Threaded connection

Information

- The installation of the VSB can be done in any way in the system.
- The VSB must not be used as a supporting part in a pipe construction! Use the mounting brackets or holes (M8 underside).
- The medium must not contain any solid particles! We recommend the installation of strainer type SFD or SFM.
- Refer also to the data sheets and Operating Instructions of the respective flow monitors or flow indicators!
- **Download: www.meister-flow.com**

OPERATING DATA

Operating pressure, max.	16 bar ⁽¹⁾
Kv-value (H²O)	0,82 m ³ /h
Temperature, max.	100 °C ⁽¹⁾
Process connection	Thread

⁽¹⁾ Refer to the data sheets and Operating Instructions of the respective flow monitor or flow indicator.

MEASURING RANGES

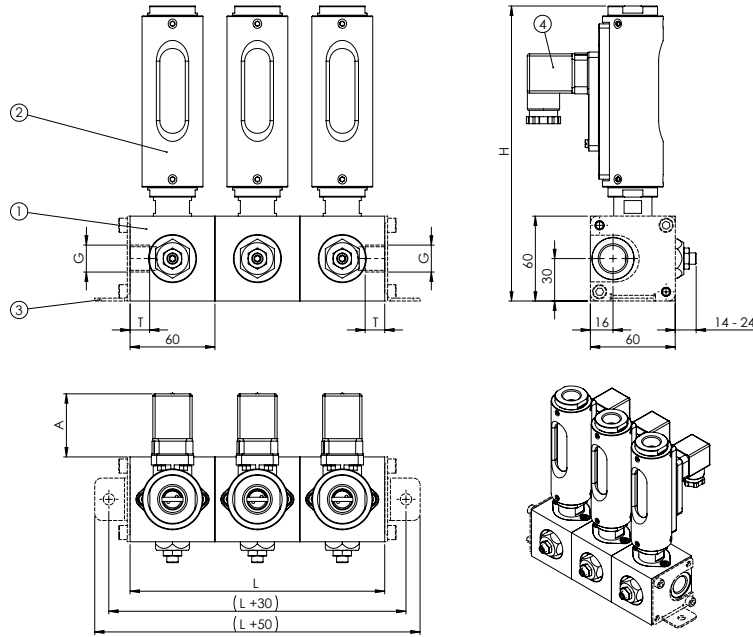
Type	Measuring Ranges		
	l/min	gph	gpm
VSB-1	depending on the flow monitor or flow indicator employed!		
VSB-2			
VSB-3			
VSB-4			
VSB-5			
VSB-6			
VSB-7			
VSB-8			
VSB-9			
VSB-10			

MATERIALS

Aluminum version, wetted parts

Body:	Aluminum, anodized
Gaskets:	FKM
Spindle:	1.4571
Spindle nut:	1.4571
Device adapter:	1.4571

TECHNICAL DRAWING



SUMMARY OF TYPES

Type	Overall dimensions [mm]				Weight ⁽²⁾ approx. [g]	
	G	Thread depth	L	H	Aluminum	Stainless steel
VSB-1	1/2"	14	60	depending on the devices employed!	560	1510
VSB-2	1/2"	14	120	depending on the devices employed!	1180	3080
VSB-3	1/2"	14	180	depending on the devices employed!	1770	4620
VSB-4	1/2"	14	240	depending on the devices employed!	2360	6160
VSB-5	1/2"	14	300	depending on the devices employed!	2950	7700
VSB-6	1/2"	14	360	depending on the devices employed!	3540	9240
VSB-7	1/2"	14	420	depending on the devices employed!	4130	10780
VSB-8	1/2"	14	480	depending on the devices employed!	4720	12320
VSB-9	1/2"	14	540	depending on the devices employed!	5310	13860
VSB-10	1/2"	14	600	depending on the devices employed!	5900	15400

⁽²⁾ without flow monitor or flow indicator

PARTS LIST

Item	Description	Item	Description
1	Valve block	3	Mounting bracket (optional)
2	Flow monitor	4	Electrical components