

## Switch Contact

# SG-30

# UL



## OVERVIEW

### Operating principle

- Reed contact

### Application

- The switch contact is for use on mechanical flow meters for the electronic monitoring of flow limits.

### Features

- Normally open or Change over
- Bi-stable switching behavior within the specified measuring range
- Sealed housing IP 65 or IP67 (depending on connection)

### Connection options

- Connector in compliance with EN 175301-803, Form A
- Cable

### Notice

- Refer also to the Data Sheets and Operating Instructions of the respective flow sensor!
- **Download: [www.meister-flow.com](http://www.meister-flow.com)**

## OPERATING DATA

### Operating temperature

#### UL

**EN 175301-803** -15 °C – 100 °C

**Cable** -15 °C – 100 °C

## COMBINATION OPTIONS

### Media

### Device

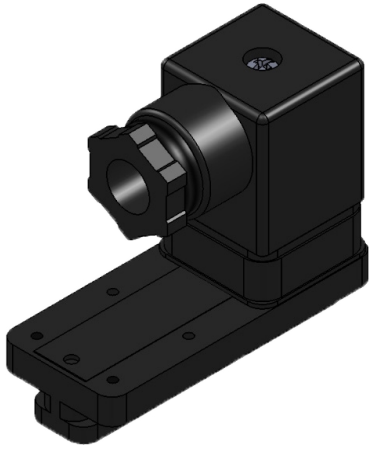
H <sub>2</sub> O	DUG	DWG
	DWM	DWM/A
	DUM	DUM/A
	RVM/U-1	
	RVM/UA-1	
	RVO/U-1	
	WBMC	

Oil	DKG-1	
	DKM-1	DKM-2
	DKM/A-1	DKM/A-2
	DKME-1	DKME/A-1

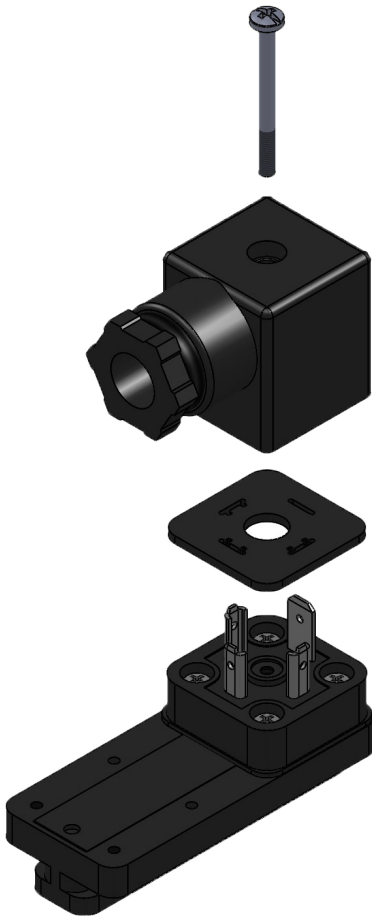
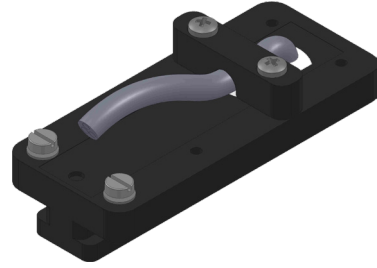
Air	DWG-L	
	DWM-L	DWM/A-L
	RVM/U-L1	
	RVM/UA-L1	
	RVO/U-L1	

# CONNECTION OPTIONS

Connector in compliance with EN 175301-803



Cable



## ELECTRICAL DATA

<b>Change over (COC)</b>	250V · 1,5A · 50VA <sup>(1)</sup>
<b>Normally open (NOC)</b>	250V · 3A · 100VA
<b>Change over PLC (COC)</b>	250V · 1A · 60VA

<sup>(1)</sup> Minimum load 3VA

## ELECTRICAL CONNECTION

- Connector in compliance with EN 175301-803, Form A (DIN 43650, Form A)
- Cable (1, 5, 10 m)

### Ingress Protection

IP65: Connector in compliance with EN 175301-803, Form A  
IP67: Cable

### Output signal

The contact opens / changes when the flow decreases below the set point.

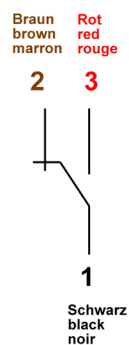
### Power supply

Not required (potential-free reed contacts)

## CONNECTION DIAGRAM

### Connector in compliance with EN 175301-803 and cable

Change over (COC)



Normally open (NOC)

